

Lug butterfly valve TTV excellence range for non aromatic hydrocarbon, fuel, water, natural gas, grease, oil, compressed air, glycol.

Approval Bureau Veritas marine certificate., 5 years warranty.

Ductile iron EN GJS-500-7 body, stainless steel disc and NBR seat.

Between flanges PN10/16 or class 150 according to DN.

Compatible with explosive atmosphere, ATEX Zone 1&21 and Zone 2&22 on request.

Handling possible with stainless steel handle, gearbox or, chain gearbox and stem extension.

Thanks to the ISO 5211 plate and the square stem, an actuator can be installed direct on the valve.



Reinforced Lug from DN200 to DN300

Size : DN32 to DN300

Connection : Between flanges PN10/16

Min Temperature : -10°C

Max Temperature : +90°C

Max Pressure : 16 Bars

Specifications : Long neck for isolation

Lug type

Full crossing stem

ISO 5211 direct mounting pad

Materials : Ductile iron GJS body, stainless steel disc, NBR seat

*the installation defects and wear defects are not covered by the guarantee

SPECIFICATIONS :

- Long neck for isolation
- ISO 5211 mounting pad
- Lug type (reinforced Lug from DN200 to DN300)
- Between flanges PN10/16 from DN32/40 to 150, PN10 over
- Between flanges PN16 or Class 150 (PN20) on request
- Full crossing stem
- Removable NBR seat
- Stainless steel disc
- 9 positions lever with locking device up to DN200 , stop in all positions but non lockable from DN250 to 300
- Rilsan coated body color RAL 5024 , 250-300 microns thickness
- Stem extension 75 mm length (option)
- Square lever 30x30 mm for special key (option)

USE :

- Fluids : Non aromatic hydrocarbon, fuel, water, natural gas, grease, oil, compressed air, glycol
- Not advisable : Gas in atmospheric condition, petrol, premium gasoline, acetone, acetic acid and solvent
- For temporary using, can be used at the end of the pipe from DN50 and over(6 bars max)
- For final using, can be used at the end of the pipe if assembled with a flange (12 bars max up to DN150, 10 bars over)
- Min and max Temperature Ts : From -10°C to + 90°C
- Max Pressure Ps : 16 bars
- Compressed air : 7 bars max (over on request with glued seat or vulcanized seat)

RANGE :

- With lever from DN 32 to DN 300
- IP65 gear box possible (**Ref. 1197**) from DN 32 to DN 300
- IP65 chain gear box (**Ref. 1194**) from DN 32 to DN 300
- On request, stem extension with special length (**Ref. 98665**)
- On request, CF8M stainless steel handle and bolting **Ref. 9831250-9831264**

ENDS :

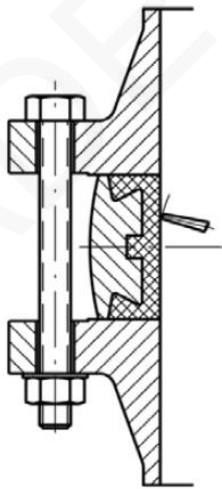
- Between flanges PN10/16 from DN32/40 to 150, PN10 over
- Between flanges PN16 or Class 150 (PN20) on request

TORQUE VALUES (in Nm with safety coefficient of 30 % included) :

		DN									
	Pressure (Bar)	32/40	50	65	80	100	125	150	200	250	300
Torque (Nm) with machined disc (on request)	1-5*	2	4	6	8	10	14	15	25	64	118
	6*	3	5	7	10	12	18	31	55	123	216
	10*	6	8	10	14	18	31	59	93	206	330
Torque (Nm)	16	9	11	20	29	47	82	130	210	360	475

* : Torques with machined disc (on request)

MAXIMUM TIGHTENING TORQUES FOR BOLTING FLANGES :



		Maximum torques (Nm)			
		5,6 / A307 Gr.B	8,8 / A193 B7	10,9	12,9
Bolting DN	Bolting types				
	M12 (1/2")	41,16	84,28	117,6	142,1
	M14 (9/16")	66,64	132,3	186,2	225,4
	M16 (5/8")	102,9	205,8	289,1	347,9
	M18 (3/4")	142,1	284,2	396,9	475,3
	M20 (3/4")	196	401,8	568,4	676,2
	M22 (7/8")	259,7	539	764,4	911,4
	M24 (1")	338,1	695,8	980	1176
	M27 (1"1/8)	499,8	1029	1470	1764
M30 (1"1/4)	666,4	1421	1960	2352	

FLOW COEFFICIENT Kv (m³ / h) :

DN	Opening Angle								
	10°	20°	30°	40°	50°	60°	70°	80°	90°
32-40	3	5	10	16	22	31	36	36	36
50	3	7	15	33	44	48	54	54	54
65	6	10	21	40	57	86	102	102	102
80	7	16	37	56	84	182	246	246	246
100	9	22	51	88	134	187	255	336	336
125	21	33	91	153	232	331	468	560	560
150	45	69	149	281	302	597	822	1015	1072
200	55	131	254	420	631	904	1388	1758	1758
250	64	246	442	710	1056	1522	2128	3096	3096
300	100	275	472	953	1450	2093	2972	4193	4480

HEAD LOSS CALCULATIONS :

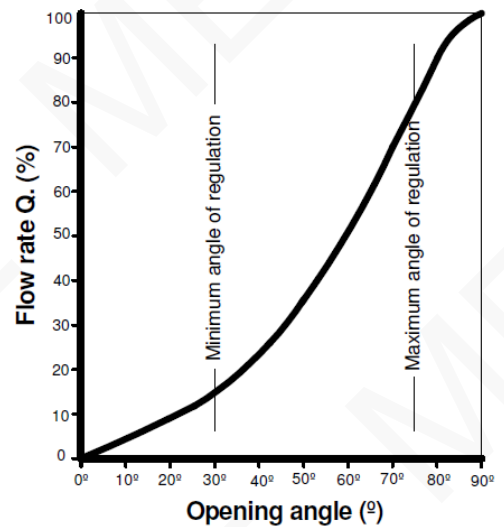
$$\Delta p = (Q / K_v)^2 \times SG$$

Q : flow in m³/h

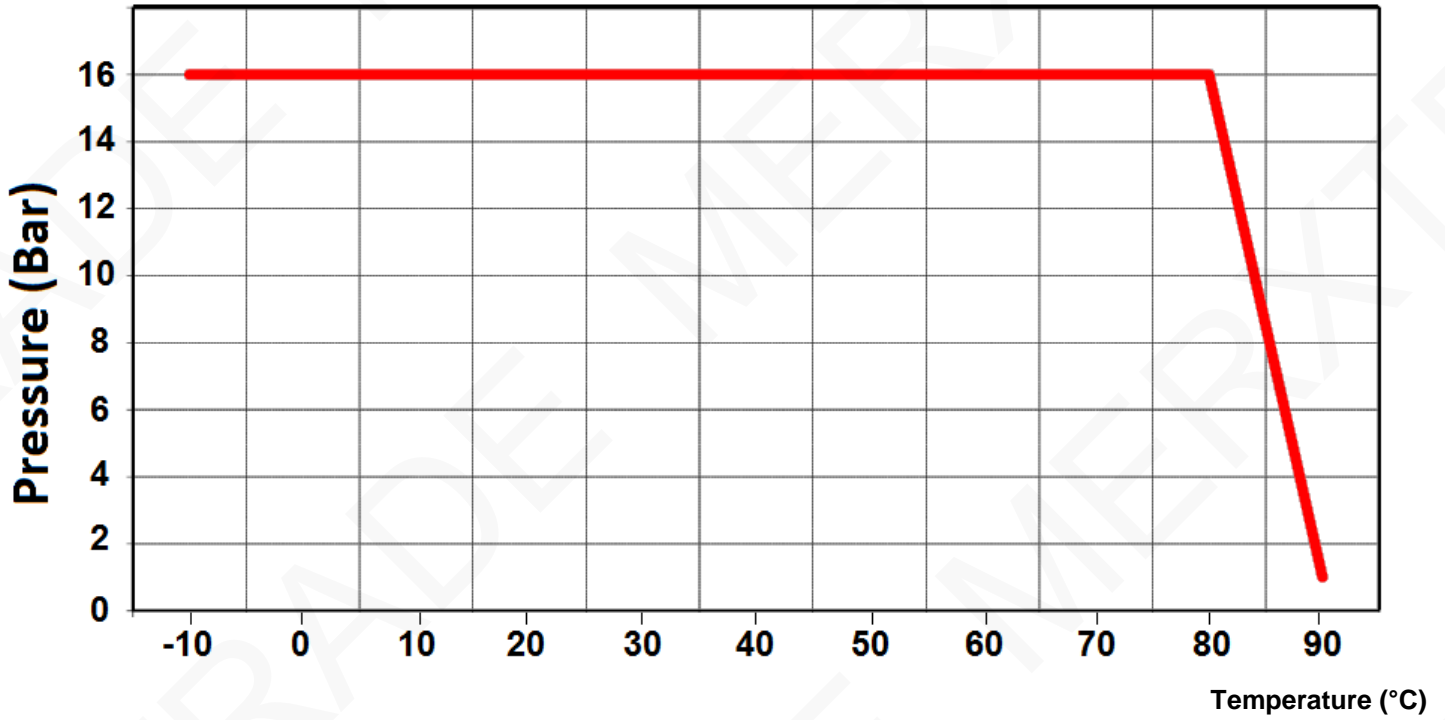
Δp : Head loss in bar

SG : Specific gravity (= 1 for water)

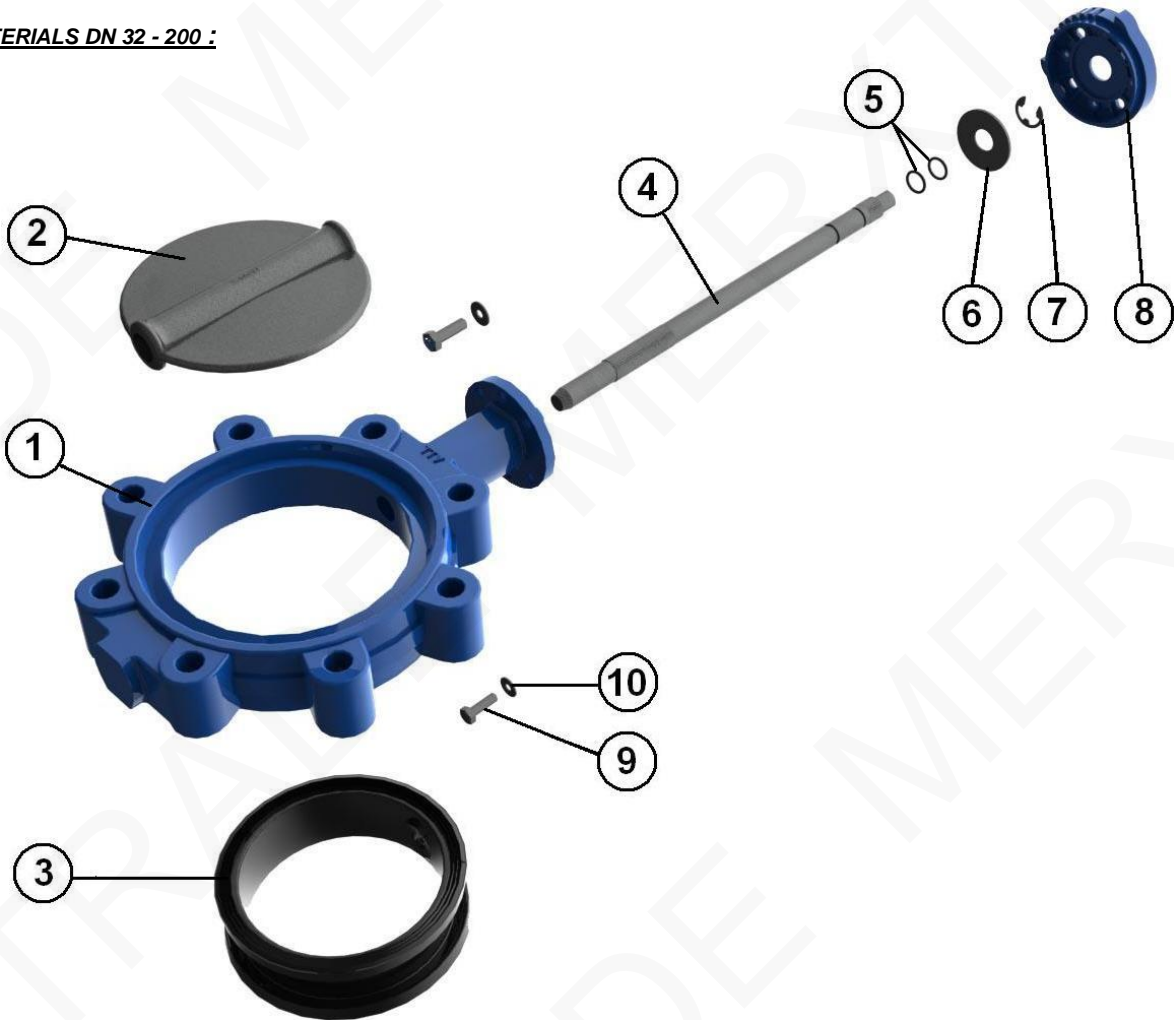
Kv : Volume of water in m³/h, that will flow through a given restriction or valve opening with a pressure drop of 1 bar at 20°C)



PRESSURE / TEMPERATURE GRAPH (STEAM EXCLUDED) :

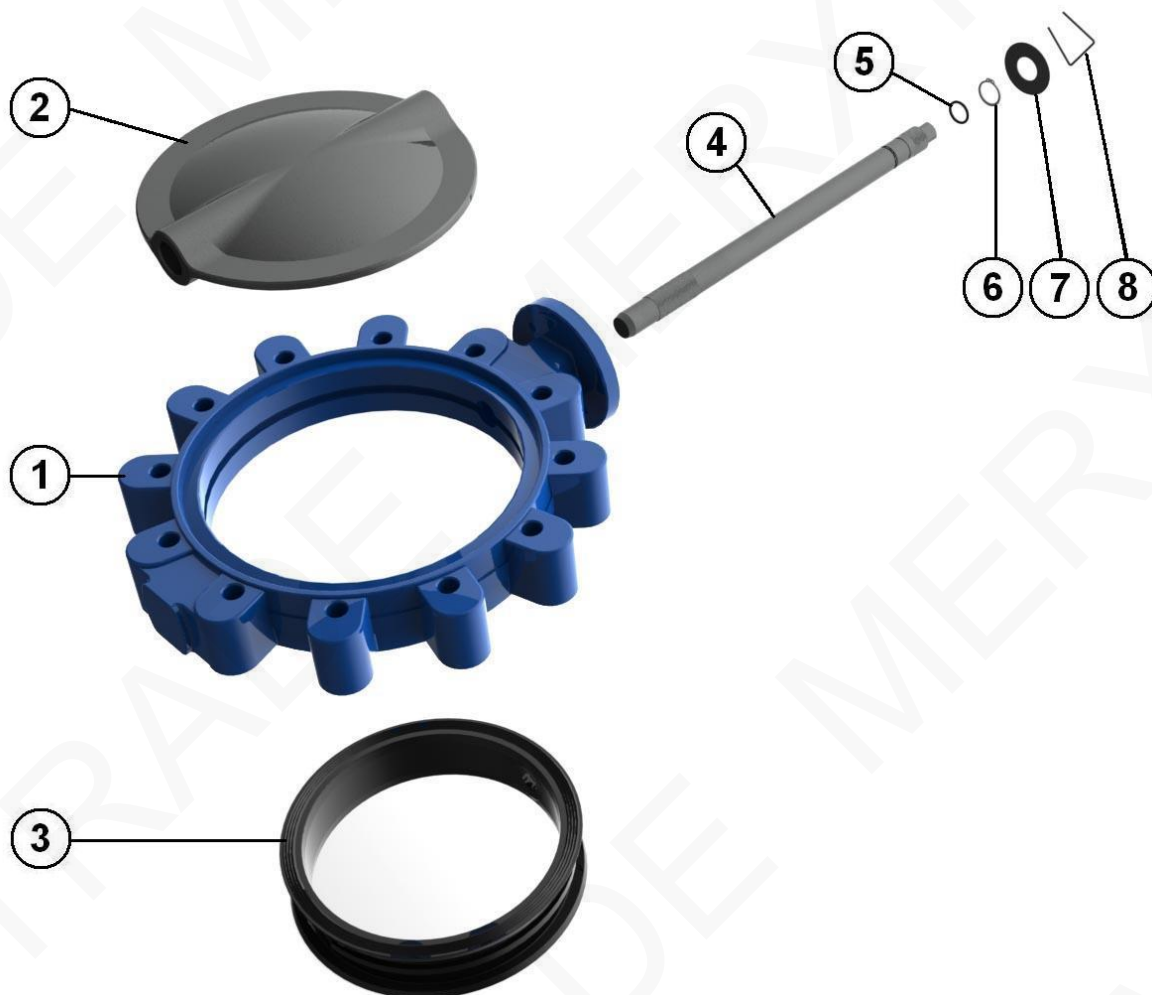


MATERIALS DN 32 - 200 :



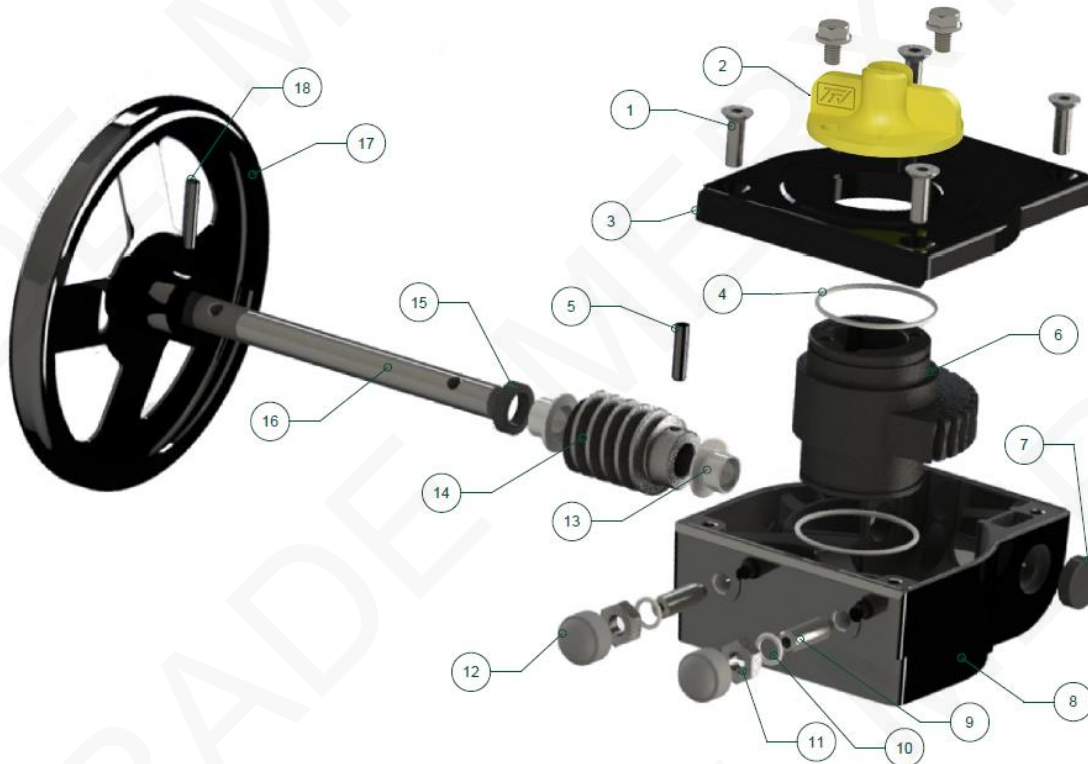
Item	Designation	Materials
1	Body	Ductile iron EN GJS-500-7 rilsan coated color RAL 5024 250-300 μ thickness
2	Disc	ASTM A351 CF8M
3	Seat	NBR
4	Stem	AISI 304
5	O ring	NBR
6	Ring	Steel
7	Circlips	Steel
8	Plate	Aluminium
9	Plate screw	5.6
10	Washer	Steel
	Lever	Aluminium ADC10 with epoxy painting 50μ thickness

MATERIALS DN 250 - 300 :



Item	Designation	Materials
1	Body	Ductile iron EN GJS-500-7 rilsan coated color RAL 5024 250-300 μ thickness
2	Disc	ASTM A351 CF8M
3	Seat	NBR
4	Stem	AISI 304
5	O ring	NBR
6	Circlips	Steel
7	Ring	Steel
8	Spring	Steel
Lever (up to DN300)		Ductile iron EN GJS-500-7 with epoxy painting 50μ thickness

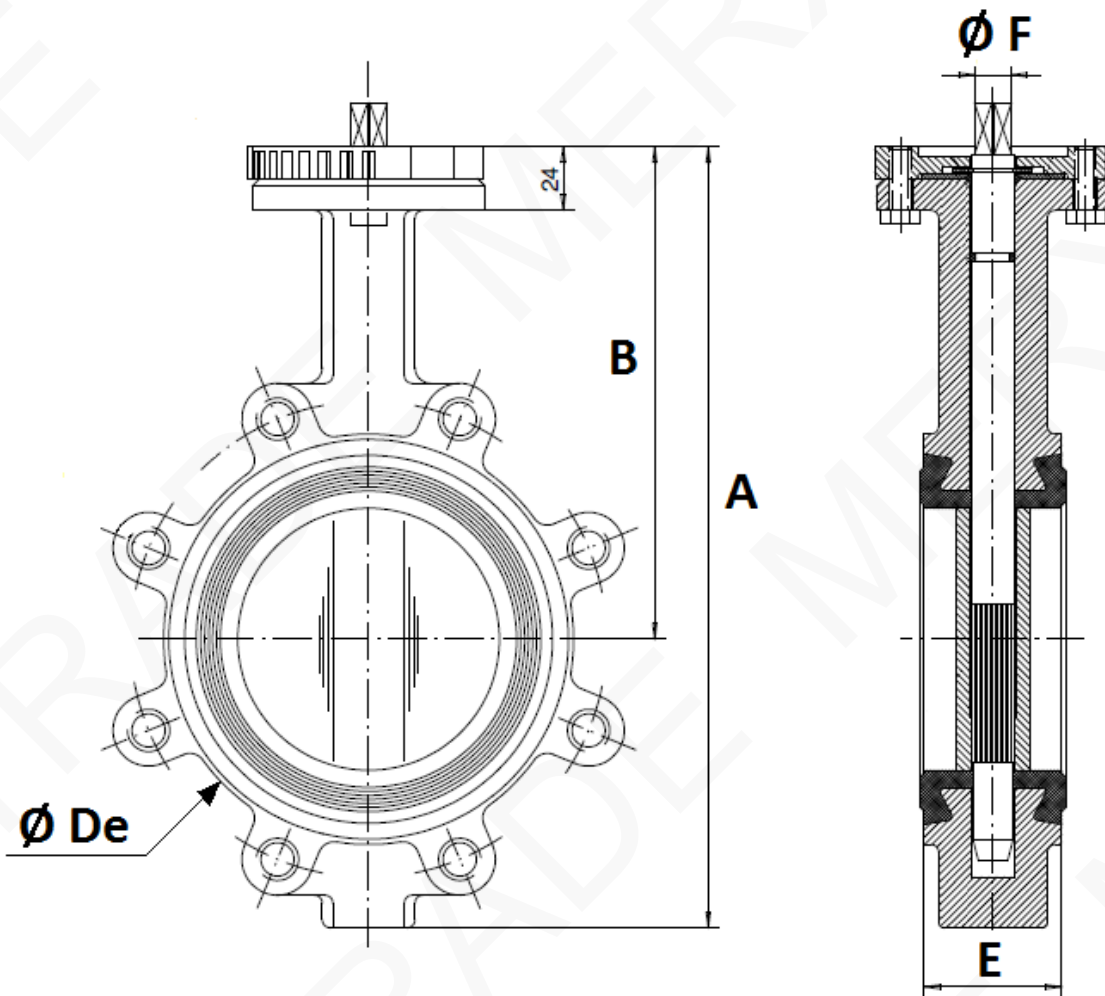
GEARBOX MATERIALS REF. 1197 :



Item	Designation	Materials Ref. 1197
1	Screw	AISI 304
2	Pointer	PVC
3	Bonnet	Aluminium
4	O ring	NBR
5	Pin	Carbon steel
6	Quadrant	Ductile iron EN GJS-400-15
7	Gasket	NBR
8	Body	Aluminium
9	Adjusting bolt	Carbon steel
10	Washer	Galvanized steel
11	Nut	Galvanized steel
12	Cap	NBR 70
13	Bushing	Bronze
14	Worm	Carbon steel 45
15	Gasket	NBR
16	Stem	Carbon steel 45
17	Handwheel	Carbon steel
18	Pin	Carbon steel

SIZE (in mm) :

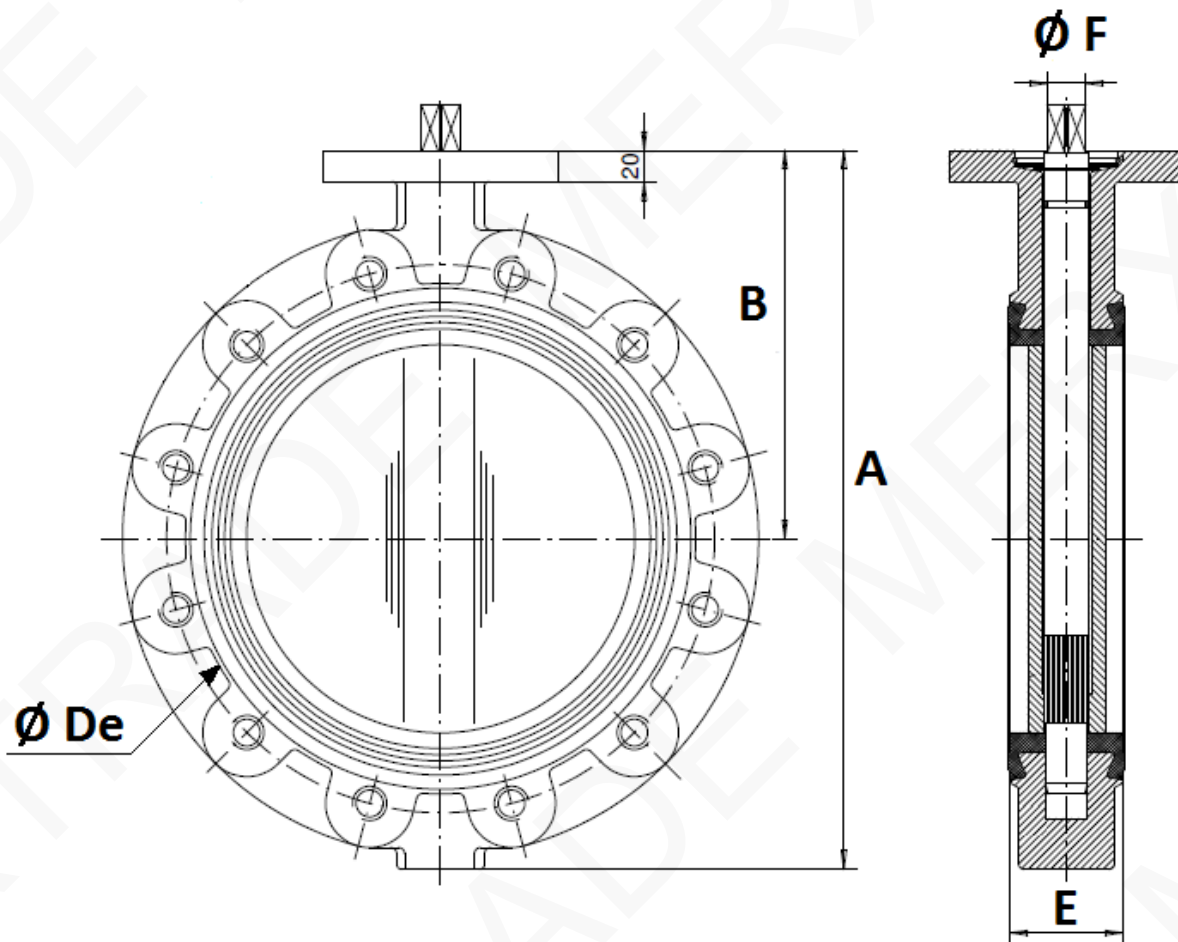
- **Valves DN 32 - 150 :**



DN	32/40	50	65	80	100	125	150
A	205	226	246	259	295	325	352
B	140	156	161	169	187	206	215
Ø De	83	102	115	136	157	192	220
E	33	43	46	46	52	56	56
Ø F	9.5	9.5	12	14	14	17	17
Weight (Kg)	2.7	4.1	4.7	6.1	7.9	10.9	11.85

SIZE (in mm) :

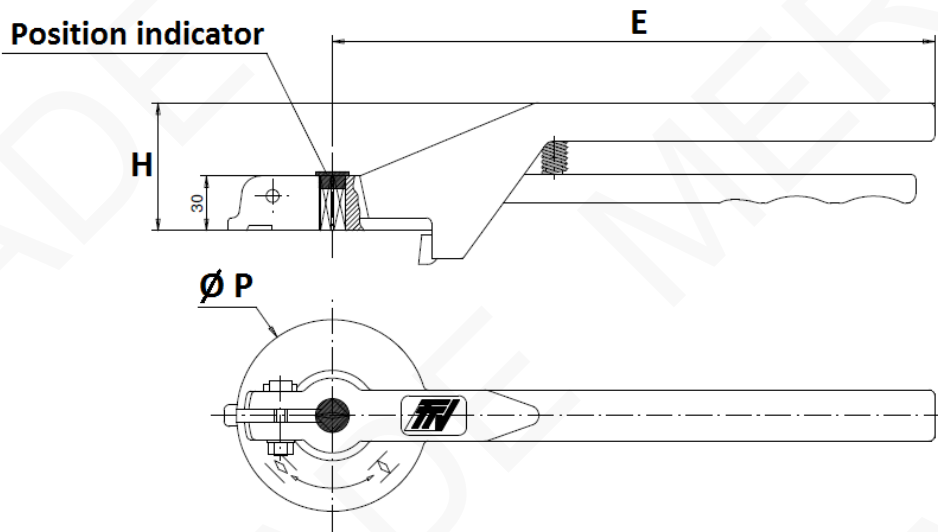
- Valves DN 200 -300 :



DN	200	250	300
A	422	460	523
B	255	248	280
Ø De	275	329	378
E	60	68	78
Ø F	21	23	26.5
Weight (Kg)	18.5	31.8	47.80

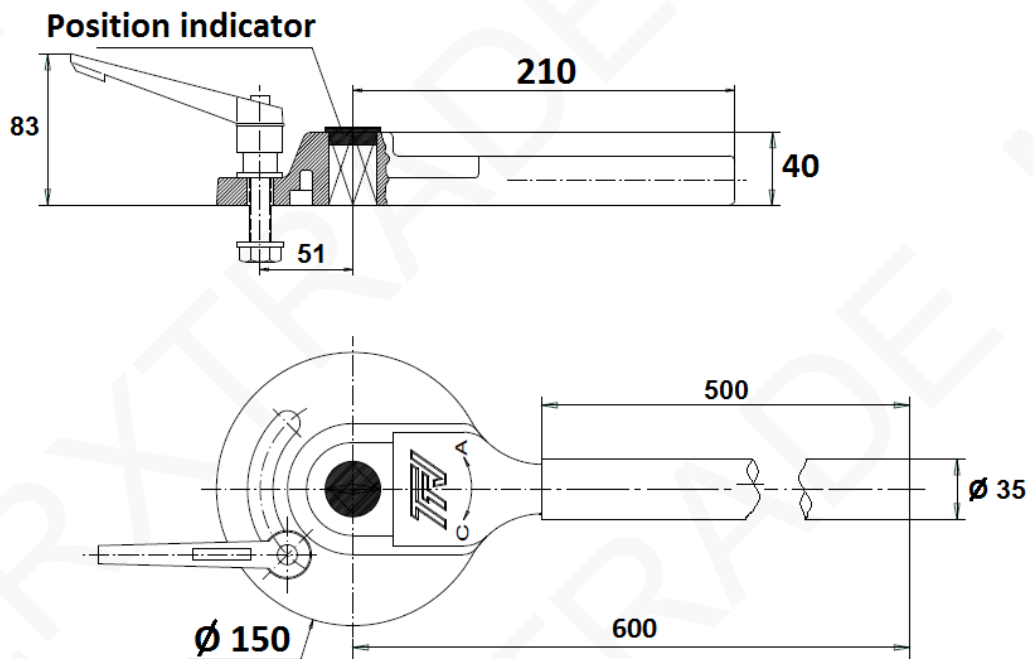
STANDARD LEVERS SIZE (in mm) :

DN 32 – 200 :



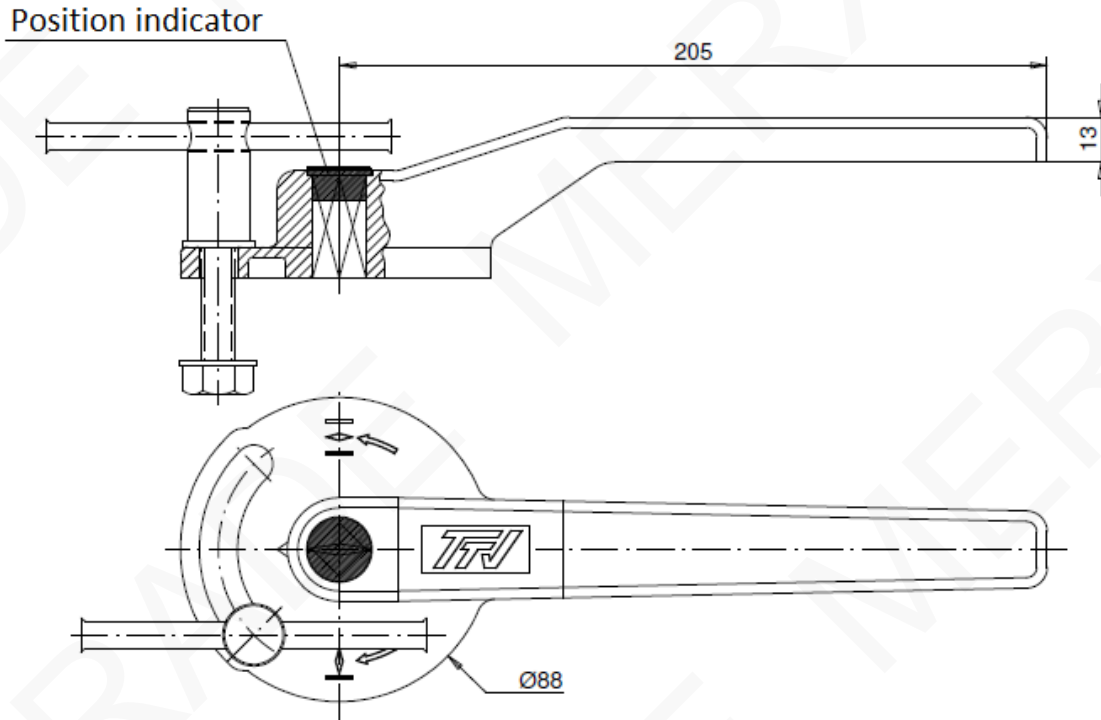
DN	32-100	125-200
E	205	330
H	57	70
Ø P	88	105

DN 250 – 300 :

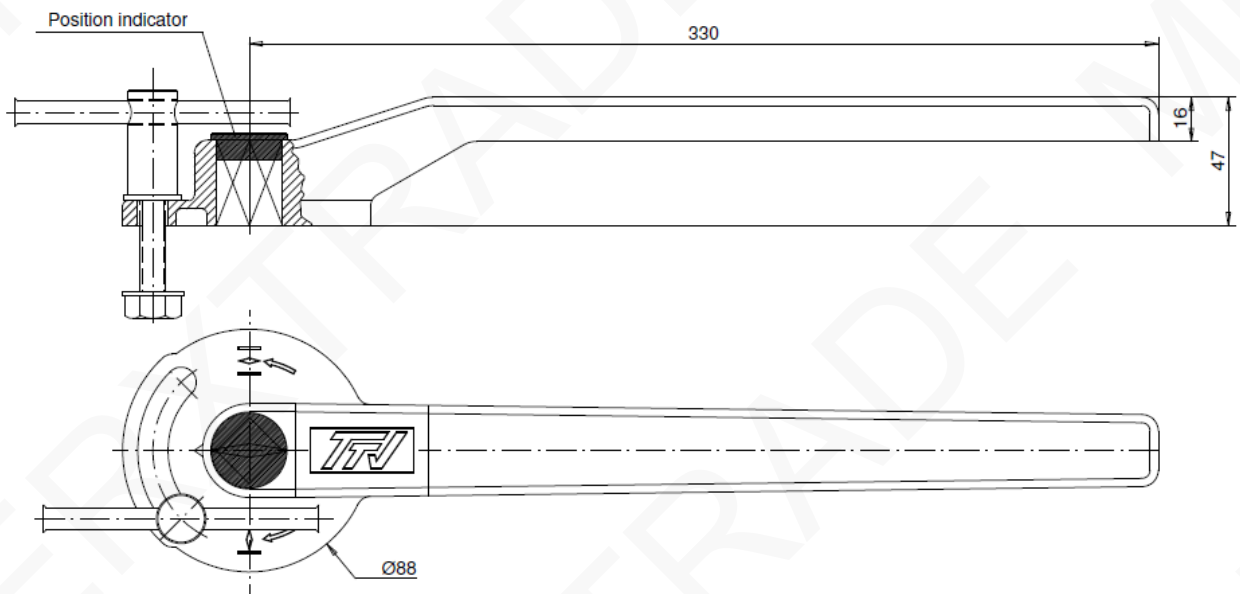


ASTM A351 CF8M STAINLESS STEEL LEVERS SIZE (in mm) (ON REQUEST) :

DN 40 - 100



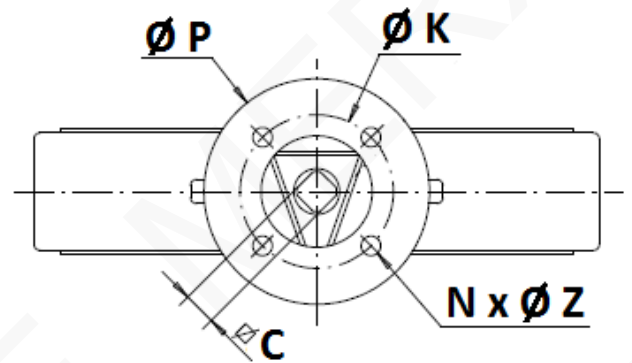
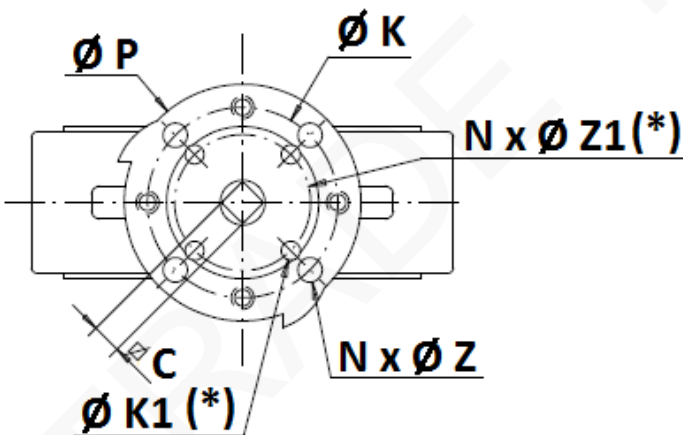
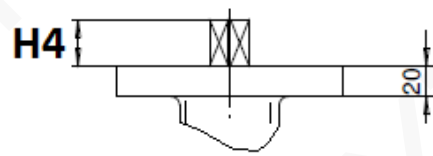
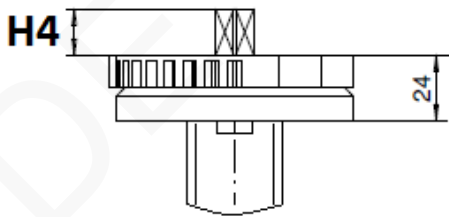
DN 125 - 200



ISO MOUNTING PAD SIZE (in mm) :

DN 32 – 200

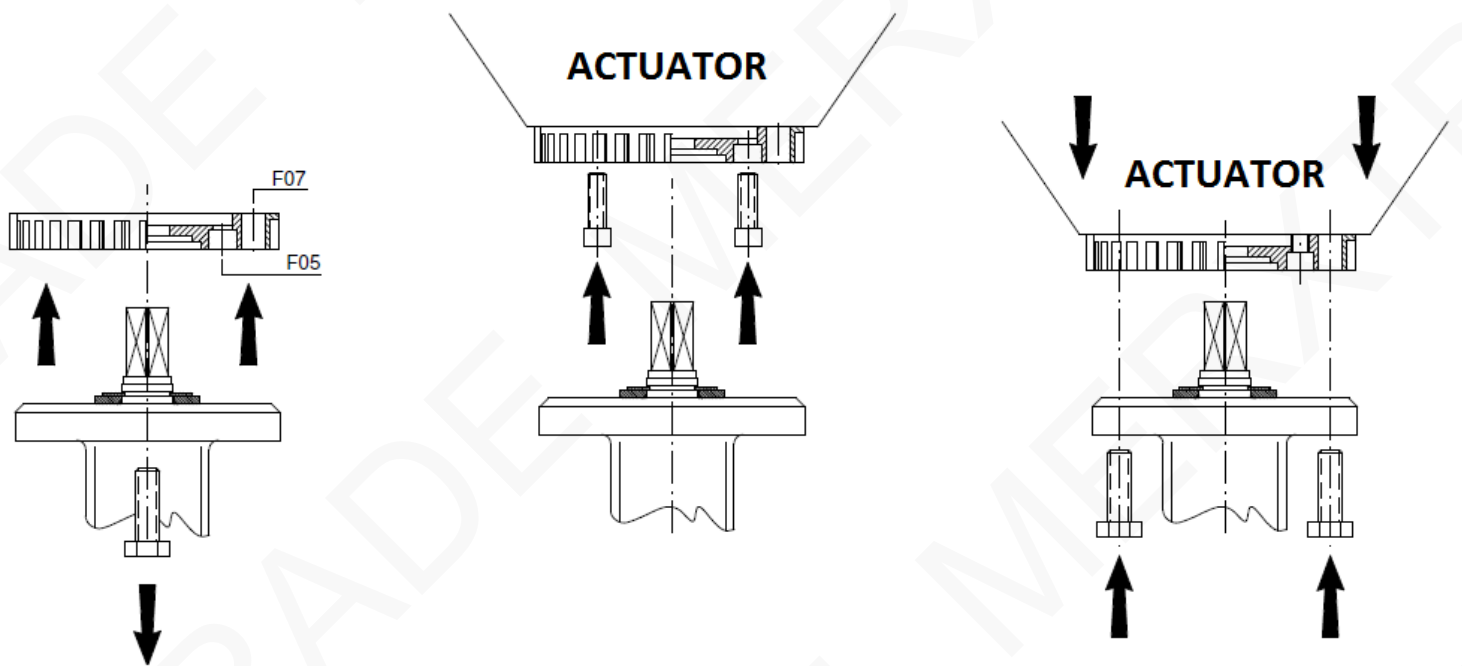
DN250-300



(*) : Only from DN32 to DN100 (see installation for ISO plate F05 next page)

DN	32/40	50	65	80	100	125	150	200	250	300
H4	14	14	16	16	20	20	20	24	24	24
C	8	8	9	11	11	14	14	17	19	22
Ø K	70	70	70	70	70	70	70	70	102	102
ISO	F07	F07	F07	F07	F07	F07	F07	F07	F10	F10
N x Ø Z	4 x 9	4 x 9	4 x 9	4 x 9	4 x 9	4 x 9	4 x 9	4 x 9	4 x 11	4 x 11
Ø K1	50	50	50	50	50	-	-	-	-	-
ISO 1	F05	F05	F05	F05	F05	-	-	-	-	-
N x Ø Z1	4 x 7	4 x 7	4 x 7	4 x 7	4 x 7	-	-	-	-	-
Ø P	88	88	88	88	88	105	105	105	150	150

ISO PLATE INSTALLATION FOR DN32-100 ISO F05 :

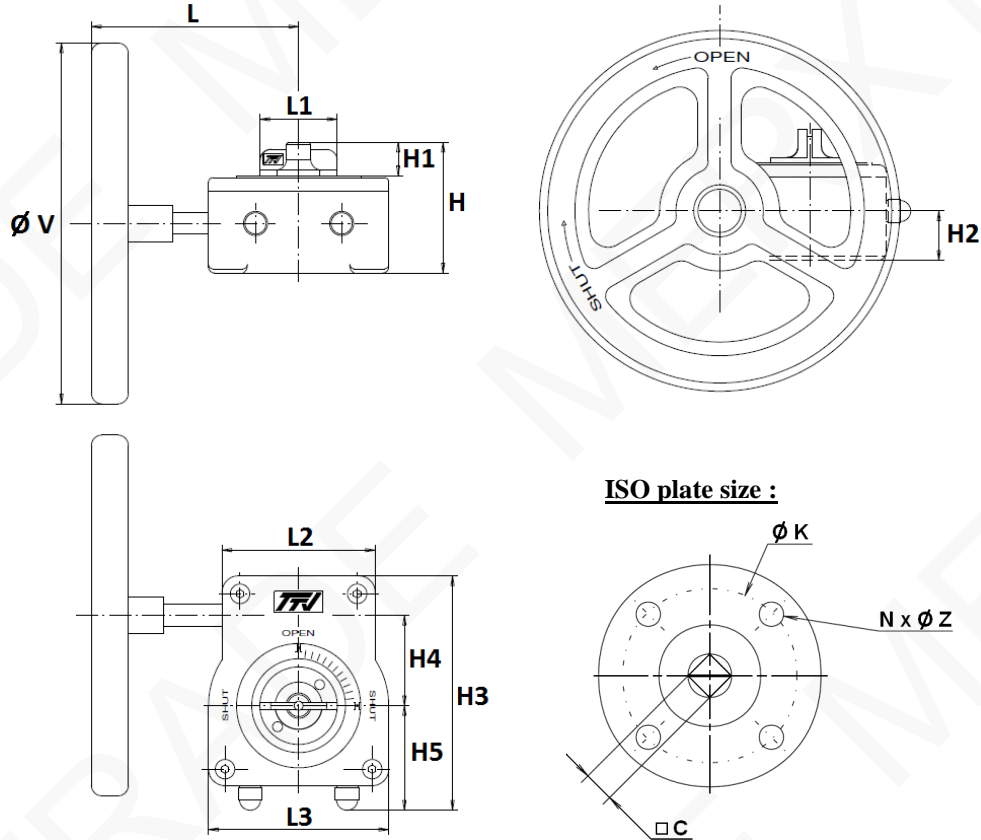


Unscrew and remove the flange

Screw the flange to the actuator with hexagon socket screws

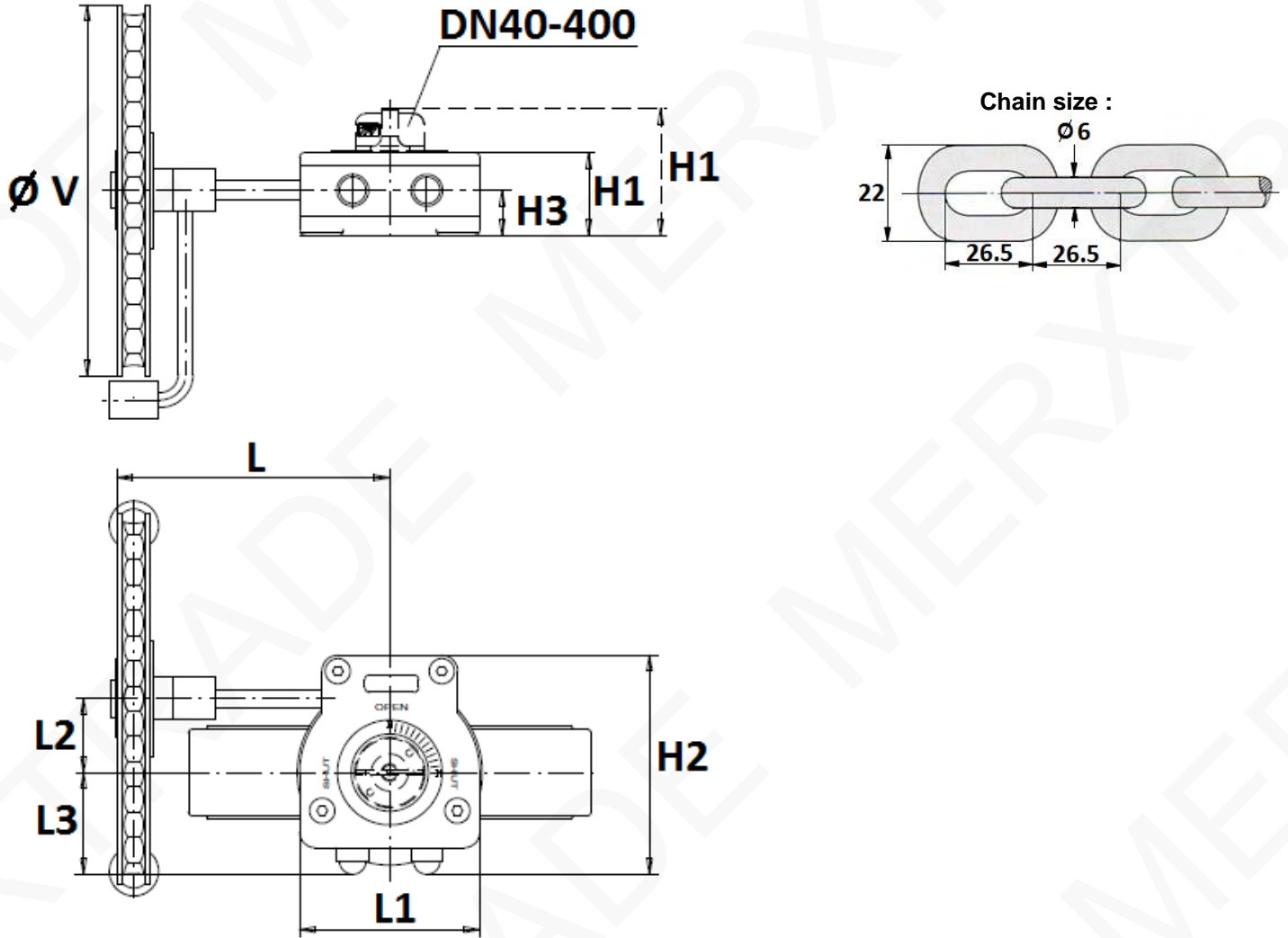
Screw the valve to the flange

GEARBOX SIZE REF.1197 (in mm) :



DN	32/50	65	80/100	125/150	200	250	300
L	115	115	115	115	115	223.5	223.5
L1	43	43	43	43	43	55	55
L2	85	85	85	85	85	110	110
L3	100	100	100	100	100	142	142
H	73	73	73	73	73	103	103
H1	19	19	19	19	19	33	33
H2	27.5	27.5	27.5	27.5	27.5	42	42
H3	130	130	130	130	130	176	176
H4	50	50	50	50	50	60	60
H5	58	58	58	58	58	82	82
Ø V	140	140	140	200	200	300	300
C	8	9	11	14	17	19	22
Ø K	70	70	70	70	70	102	102
ISO	F07	F07	F07	F07	F07	F10	F10
N x Ø Z	4 x M8	4 x M8	4 x M8	4 x M8	4 x M8	4 x M10	4 x M10
Weight (Kg)	1.35	1.35	1.35	1.75	1.75	4	4
Ref.	1197050	1197065	1197100	1197150	1197200	1197250	1197300

CHAIN GEARBOX SIZE REF.1194 (in mm):



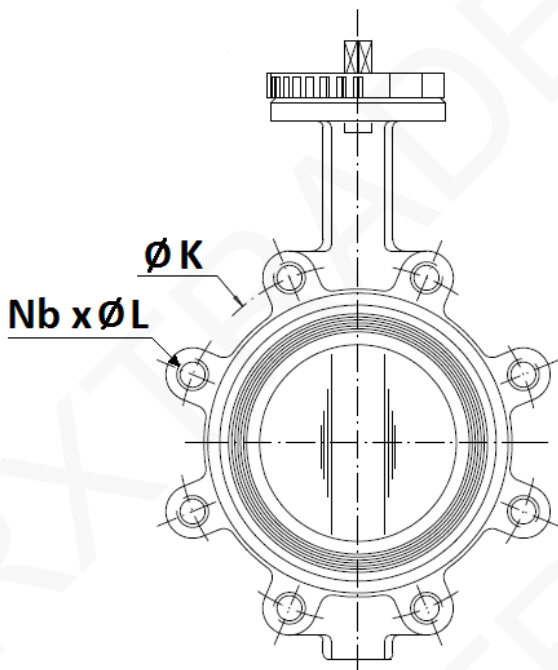
DN	32/50	65	80/100	125/150	200	250	300
L	120	120	120	215	215	325	325
L1	100	100	100	100	100	142	142
L2	50	50	50	50	50	61	61
L3	56	56	56	56	56	80	80
H1	73	73	73	73	73	103	103
H2	128	128	128	128	128	175	175
H3	27.5	27.5	27.5	27.5	27.5	42	42
Ø V	160	160	160	210	210	300	300
Weight (Kg)	2.35	2.35	2.35	2.75	2.75	6.8	6.8
Ref.	1194050	1194065	1194100	1194150	1194200	1194250	1194300

GEARBOX SPECIFICATIONS :

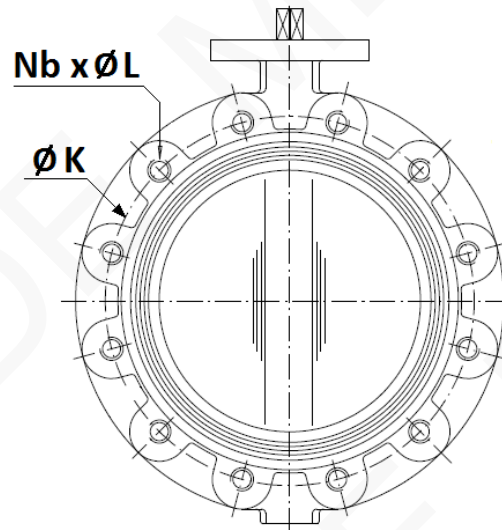
DN	32/50	65	80/100	125/150	200	250	300
Ref.	1197050	1197065	1197100	1197150	1197200	1197250	1197300
Ratio factor	37 : 1	37 : 1	37 : 1	37 : 1	37 : 1	36 : 1	36 : 1
Turns number for closing / opening	9.25	9.25	9.25	9.25	9.25	9	9
Input torque (Nm)	9	9	9	9	9	18.5	18.5
Output torque (Nm)	250	250	250	250	250	500	500

BETWEEN FLANGES SIZE (in mm) :

DN 32-150

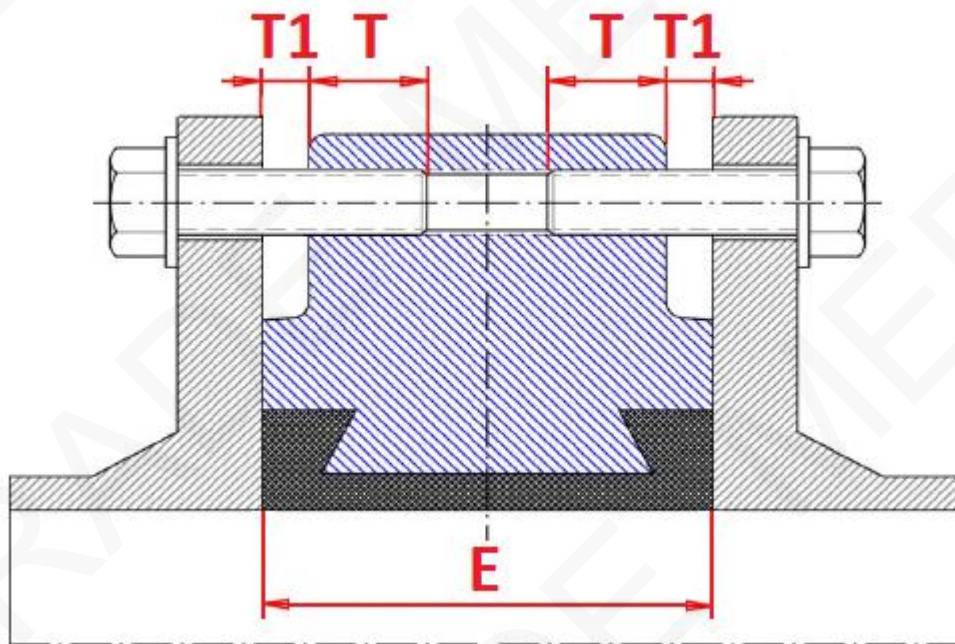


DN200 – 400



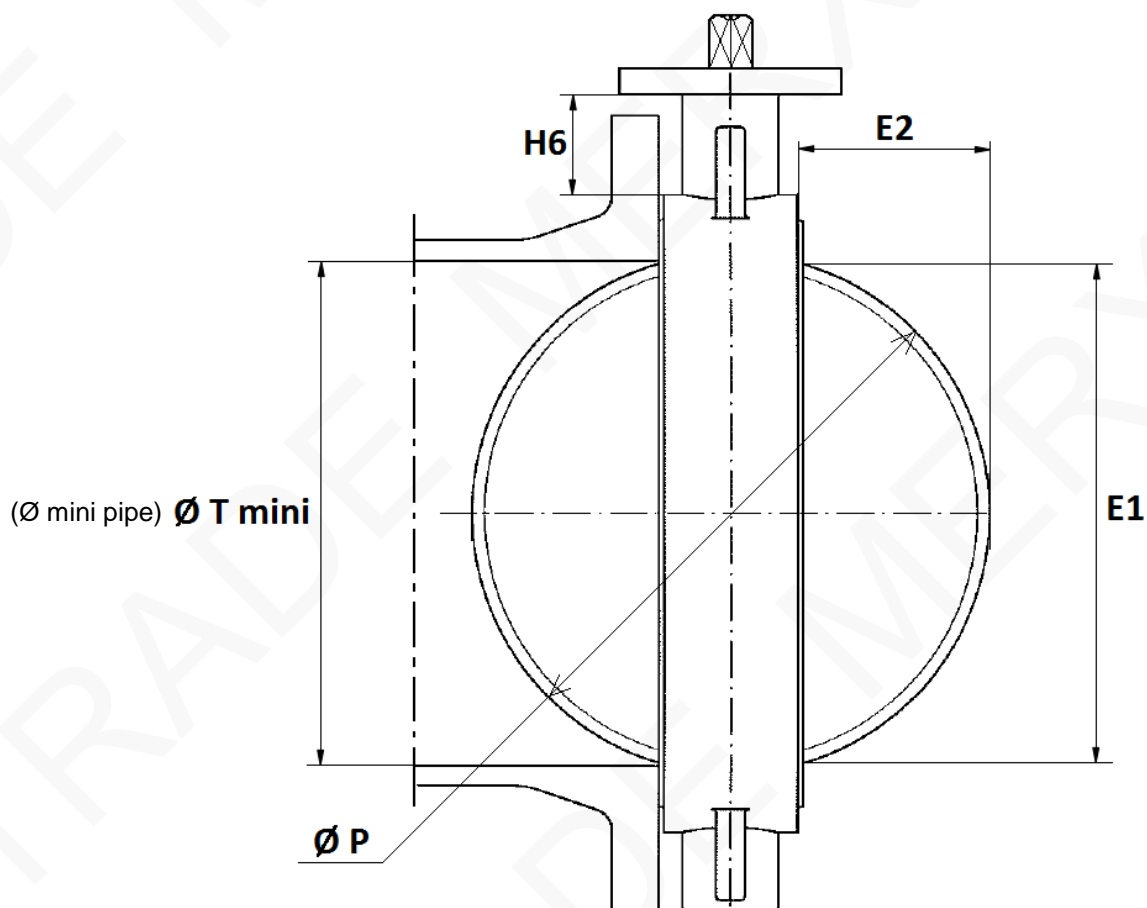
	DN (mm)	32	40	50	65	80	100	125	150	200	250	300
	NPS (")	1"1/4	1"1/2	2"	2"1/2	3"	4"	5"	6"	8"	10"	12"
PN10	Ø K	100	110	125	145	160	180	210	240	295	350	400
	Nb x Ø L	4 x M16				8 x M16			8 x M20		12 x M20	
PN16	Ø K	100	110	125	145	160	180	210	240	295	355	410
	Nb x Ø L	4 x M16				8 x M16			8xM20	12xM20	12 x M24	
Class 150	Ø K	88.9	98.5	120.6	139.7	152.4	190.5	215.9	241.3	298.5	362	431.8
	Nb x Ø L	4 x 1/2"		4 x 5/8"			8x5/8"	8 x 3/4"			12 x 7/8"	

DEPTH THREADED HOLES (in mm) :



DN	PN10	PN16	Class 150 (PN20)	PN10, PN16 and CLASS 150	
	T	T	T	T1	E
32	13.5	13.5	13.6	2.5	33
40	13.5	13.5	12	2.5	33
50	14.5	14.5	13.5	2.5	43
65	13.5	13.5	14.3	3.5	46
80	16	16	17.2	4	46
100	17.5	17.5	18.7	2.5	52
125	20	20	23.2	3	56
150	20	20	21.6	3	56
200	23	23	23.4	3	60
250	26.5	26.5	27.3	2.5	68
300	31	29	30.3	3	78

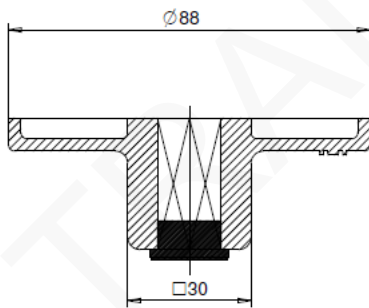
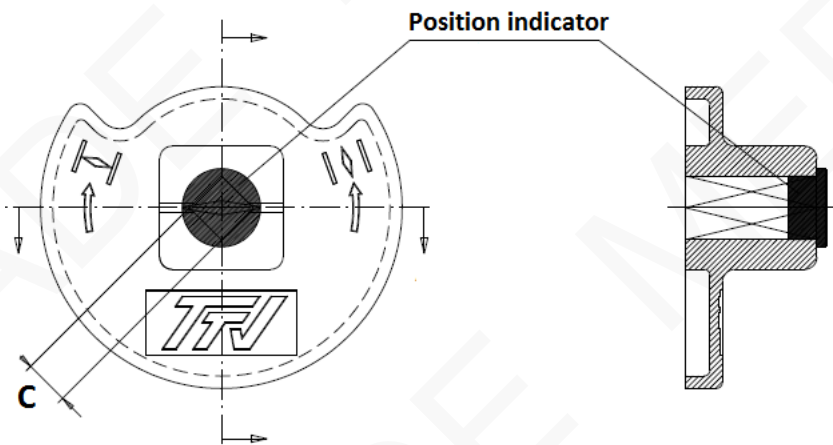
NECK AND DISC SIZE (in mm) :



DN	32/40	50	65	80	100	125	150	200	250	300
E1	23	24.5	46	65	85	109	136	188	238	289
E2	3.5	3.5	9.5	17	24	33.5	45.5	69	90	110.5
H6	76	82	80	80	88	93	89	99	71	76
Ø T mini	26	27.5	49	68	88	112	139	191	241	292
Ø P	40	50	65	80	100	123	147	198	248	299

SIZE (in mm) :

- **Square lever for special key (30x30 mm) :**

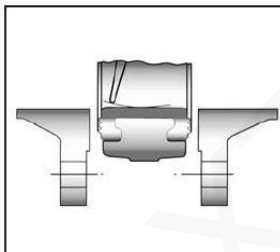


DN	32-50	65	80-100	125-150	200
C	8x8	9x9	11x11	14x14	17x17
Ref.	9866501	9866502	9866503	9866504	9866505

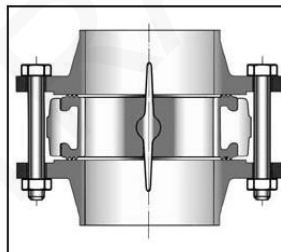
STANDARDS :

- Fabrication according to ISO 9001:2015
- Designing according to ISO 10631 and EN 593
- DIRECTIVE 2014/68/EU : CE N° 0038
Risk Category III module H
- Certificate 3.1 on request
- Pressure tests according to EN 12266-1, Rate A
- Between flanges according to EN 1092-1 PN10/16
- ISO 5211 mounting pad
- Length according to :
 - ISO 5752 short series 20
 - EN 558 series 20 (NF 29305)
 - BS 5155 series 4
 - DIN 3202 part 3, series K1
 - API 609 Table 1 up to DN600
 - ASME B16.10 Table 8 column 3
- ATEX Group II Category 2 G/2D Zone 1 & 21 Zone 2 & 22 (on request)
- The valves are suitable for use in a safety instrumented system up to SIL 2 in low demand mode. Under consideration of the minimum required hardware fault tolerance HFT= 1 the valves may be used in a redundant architecture up to SIL 3.
- Approval certificate **Marine BUREAU VERITAS on request**

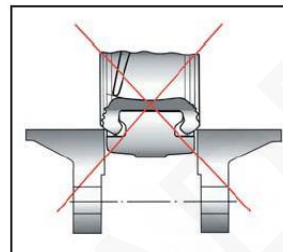
INSTALLATION INSTRUCTIONS :



Half open valve introduction



**Complete opened disc valves
when screw tightening**



ADVICE : Our opinion and our advice are not guaranteed and MXT shall not be liable for the consequences of damages. The customer must check the right choice of the products with the real service conditions.